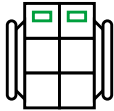


# FREE TRADER FLEET SCALE

FT  
Name \_\_\_\_\_

MARINES  FRAME DAMAGE

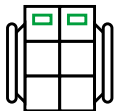


WEAPONS USED

- TURN MODE C  
MOVE COST 1/4
- BASE SPEED 8  
TURN MODE 2  
SPEED COST 2
- BASE SPEED 16  
TURN MODE 3  
SPEED COST 4
- BASE SPEED 24  
TURN MODE 5  
SPEED COST 6
- ACCELERATION  
COST 1/4
- DECELERATION  
COST 1/4
- HIGH ENERGY  
TURN COST  
1+1/4
- EVASIVE  
MANEUVER  
COST 1+1/2

# PRIME TRADER

PT  
Name \_\_\_\_\_  
MARINES  FRAME DAMAGE



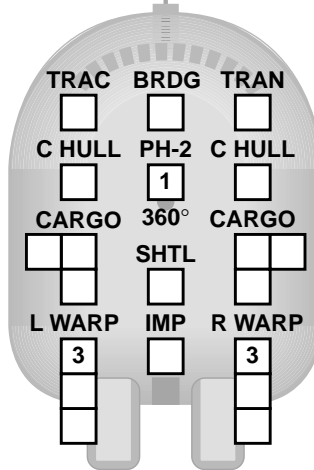
**31** WEAPONS USED

COUNTER  FT  
POINT VALUE: 13  
DAMAGE CONTROL: 1

0 1/4 1/2 3/4  
FRACTIONAL  
POWER

POWER TRACK

SHIELD #1  
 6



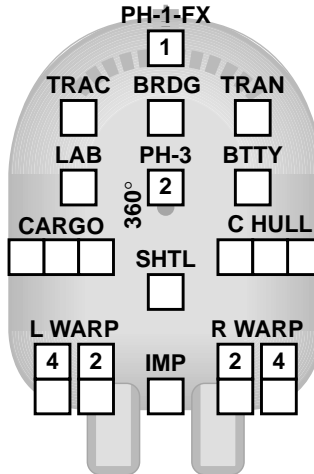
SHIELD #4  
 6

COUNTER  FT  POINT VALUE: 19 DAM CON: 1

**BEOWULF  
SHIPPING, LTD**

SHIELD #1  
 6

#6  
  
  
  
  
  
  
#5



SHIELD #4  
 6

#2  
  
  
  
  
  
  
#3

This ship has  
no probe  
launcher.

10 9 8 7 6 5 4 3 2 1 0

POWER TRACK

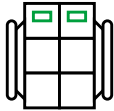
FEDERATION COMMANDER: KLINGON ATTACK  
FLEET SCALE SHIP CARD #31 OF 17-32  
Copyright © 2006 Amarillo Design Bureau, Inc.

FRACTIONAL  
POWER 0 1/4 1/2 3/4

# FREE TRADER SQUADRON SCALE

FT  
Name \_\_\_\_\_

MARINES          
 FRAME DAMAGE



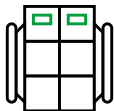
WEAPONS USED  
1 2 3

- TURN MODE C  
MOVE COST 1/2
- BASE SPEED 8  
TURN MODE 2  
SPEED COST 4
- BASE SPEED 16  
TURN MODE 3  
SPEED COST 8
- BASE SPEED 24  
TURN MODE 5  
SPEED COST 12
- ACCELERATION  
COST 1/2
- DECELERATION  
COST 1/2
- HIGH ENERGY  
TURN COST  
2+1/2
- EVASIVE  
MANEUVER  
COST 3

# PRIME TRADER

PT  
Name \_\_\_\_\_

MARINES          
 FRAME DAMAGE

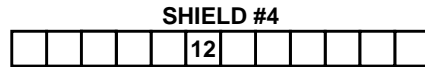
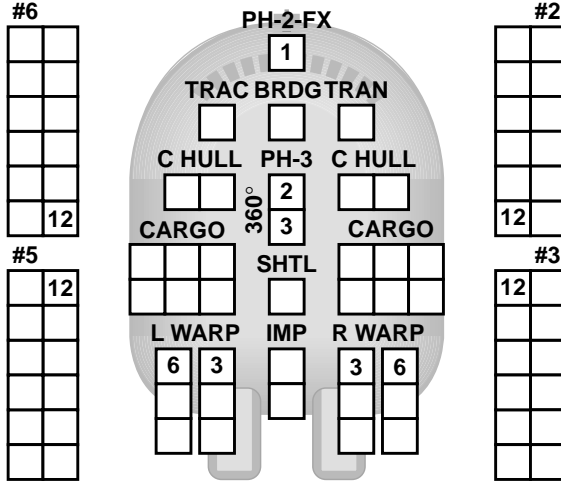
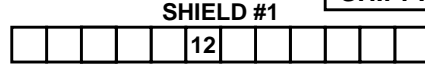


WEAPONS USED  
31 1 2 3 4

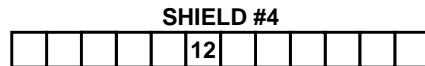
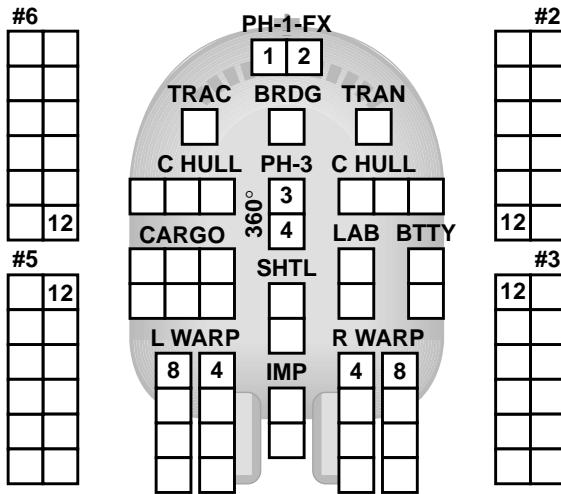
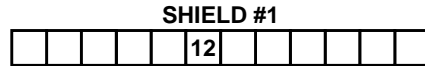
COUNTER  FT   
 POINT VALUE: 22  
 DAMAGE CONTROL: 2

0 1/2  
FRACTIONAL  
POWER

BEOWULF  
SHIPPING, LTD



COUNTER  FT  POINT VALUE: 34 DAM CON: 2



This ship has no probe launcher.

14  
13  
12  
11  
10  
9  
8  
7  
6  
5  
4  
3  
2  
1  
0

FEDERATION COMMANDER: KLINGON ATTACK  
 SQUADRON SCALE SHIP CARD #31 OF 17-32  
 Copyright © 2007 Amarillo Design Bureau, Inc.

FRACTIONAL  
POWER 0 1/2

20 19 18 17 16 15 14 13 12 11 10 9 8 7 6 5 4 3 2 1 0